



eurotimberdoors.com.au





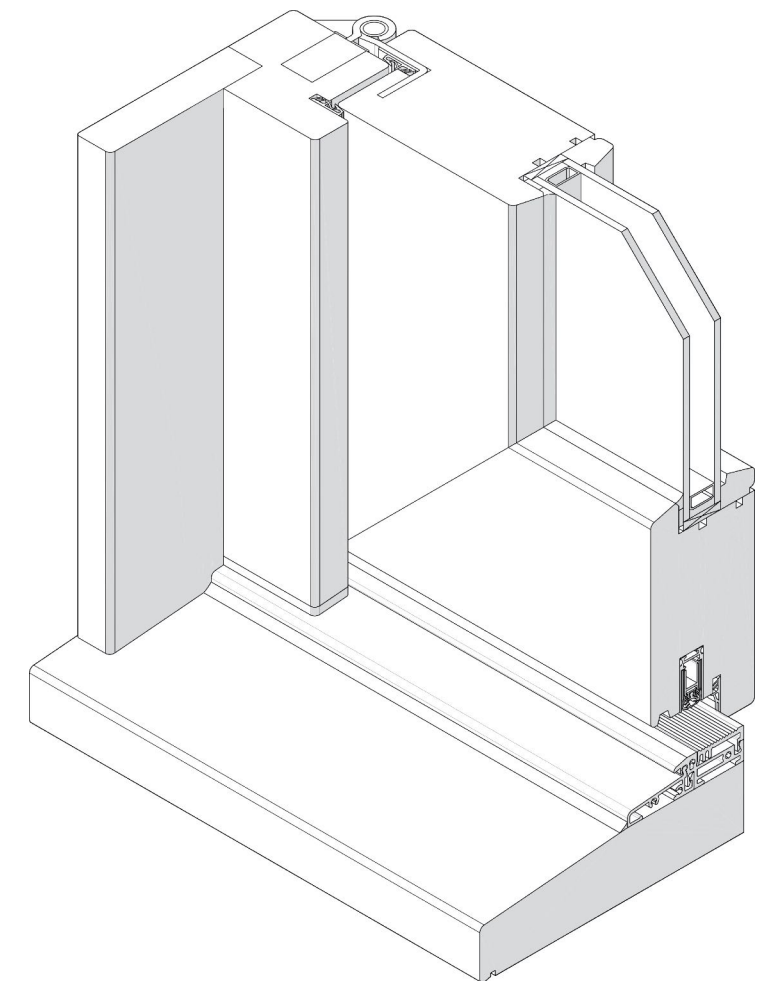
EUROPEAN TIMBER DOORS

eurotimberdoors.com.au





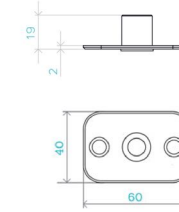
EUROPEAN
TIMBER DOORS



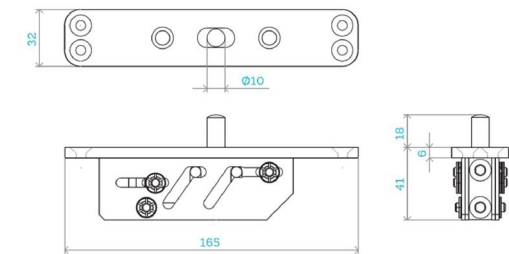



EUROPEAN PIVOT DOORS

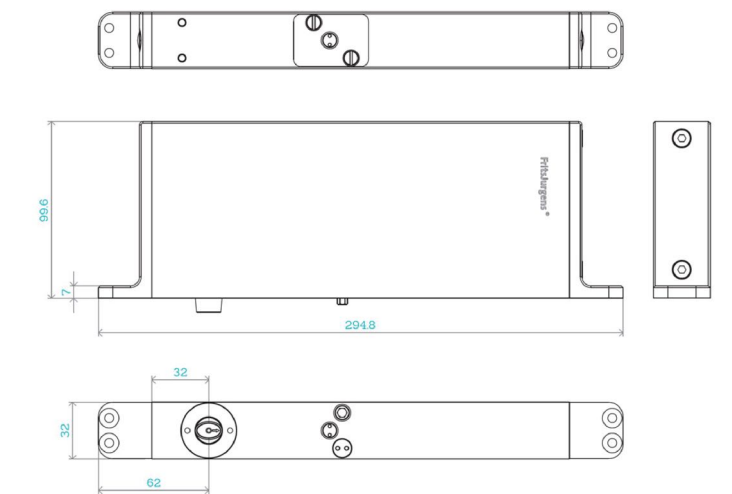
CEILING PLATE



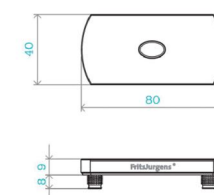
TOP PIVOT



SYSTEM M



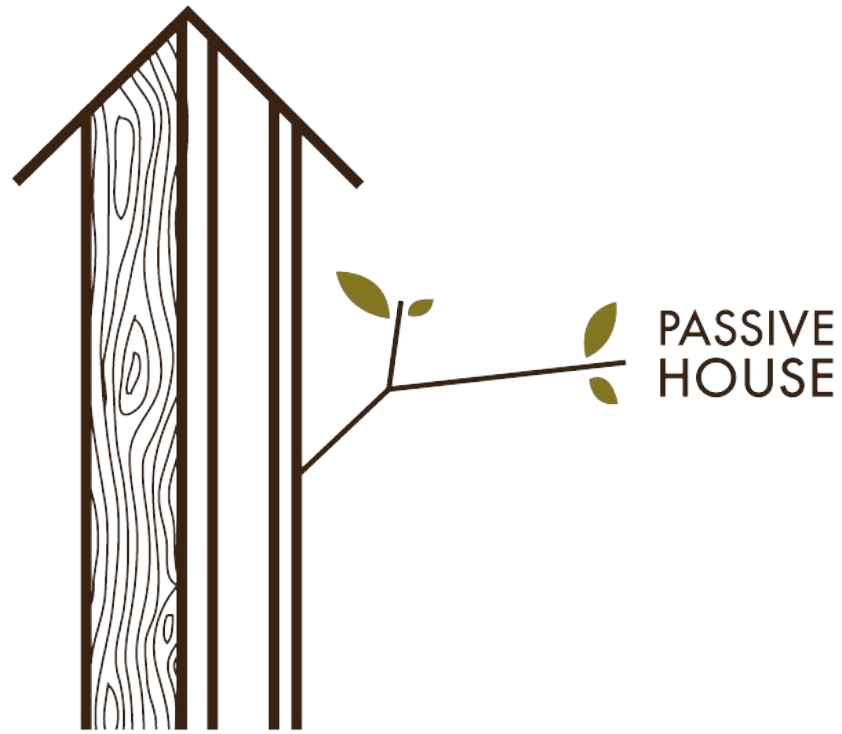
FLOORPLATE



all measurements in mm

Made in Melbourne - by our team of trades, skilfully crafting at our workshop in Airport West, Victoria Australia





Architectural timber entrance doors and windows, locally manufactured in Melbourne, Victoria in Australia by Passive House Pty Ltd

Phone: 03 9329 3693

CAD and pdf's of our systems drawings are available by request: info@passivehouse.com.au

Visits to our workshop are also welcome, by appointment:

Rodd Rd,

Airport West VIC 3042

Phone: 03 9330 3003

eurotimberdoors.com.au