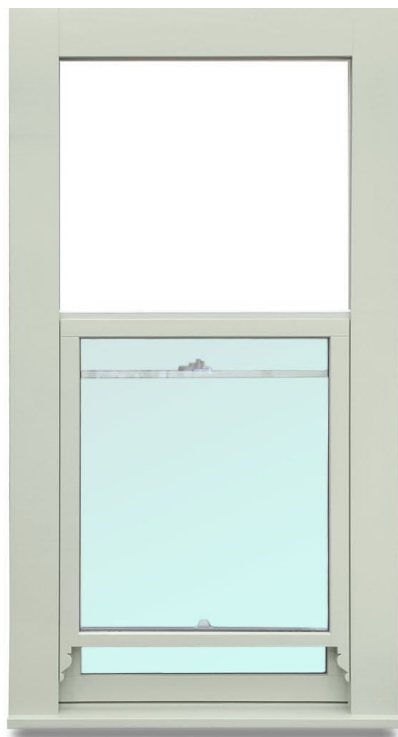
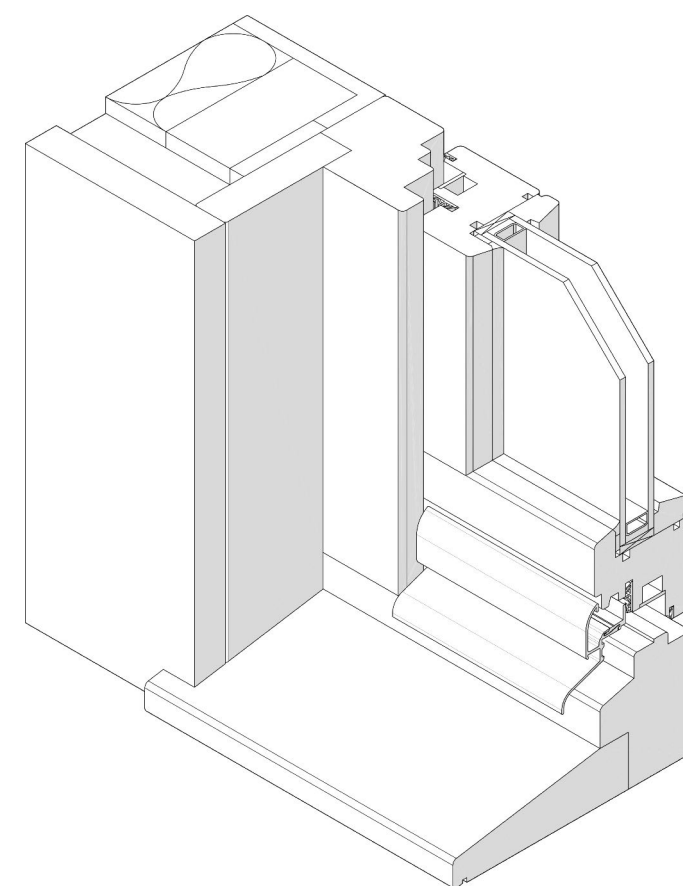
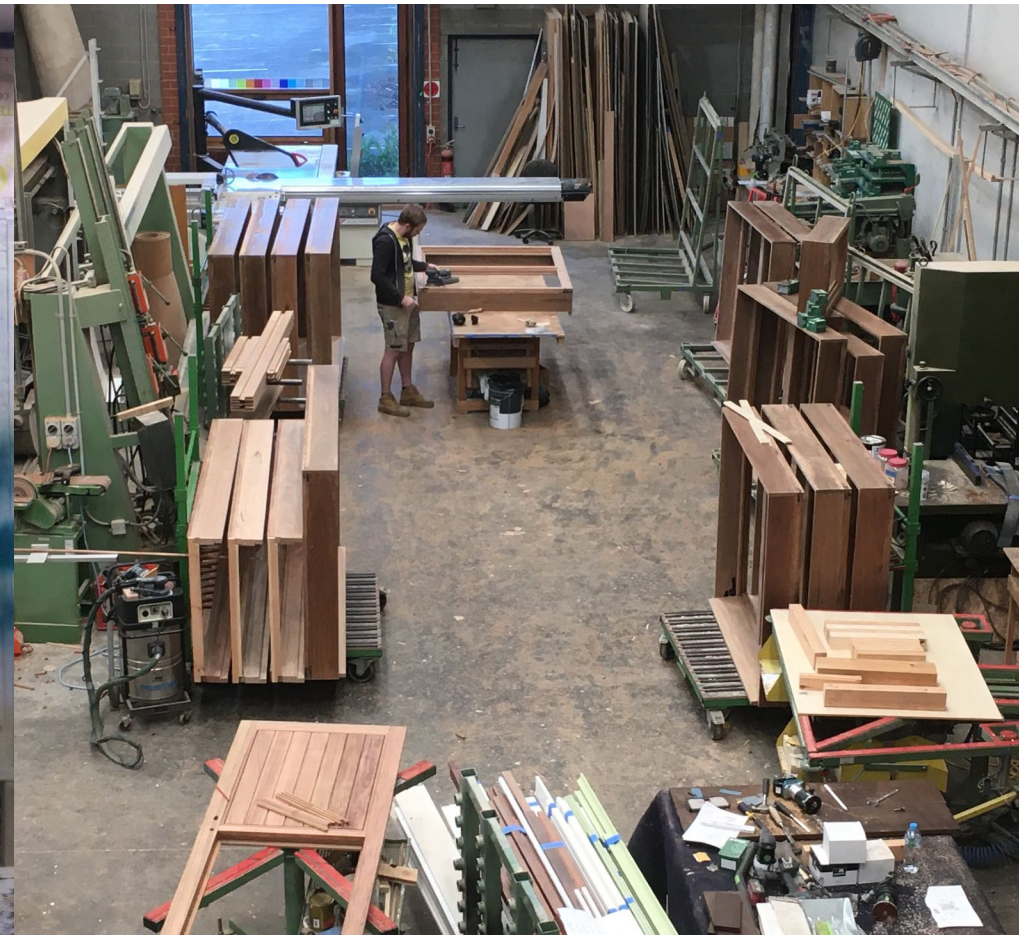


EUROPEAN  
TIMBER  
WINDOWS





Made in Melbourne - by our team of trades, skilfully crafting at our workshop in Airport West, Victoria Australia





Architectural timber windows, locally manufactured in Melbourne, Victoria in Australia by Passive House Pty Ltd

Phone: 03 9329 3693

CAD and pdf's of our systems drawings are available by request: [info@passivehouse.com.au](mailto:info@passivehouse.com.au)

Visits to our workshop are also welcome, by appointment:

Rodd Rd,

Airport West VIC 3042

Phone: 03 9330 3003

[eurotimberwindows.com.au](http://eurotimberwindows.com.au)